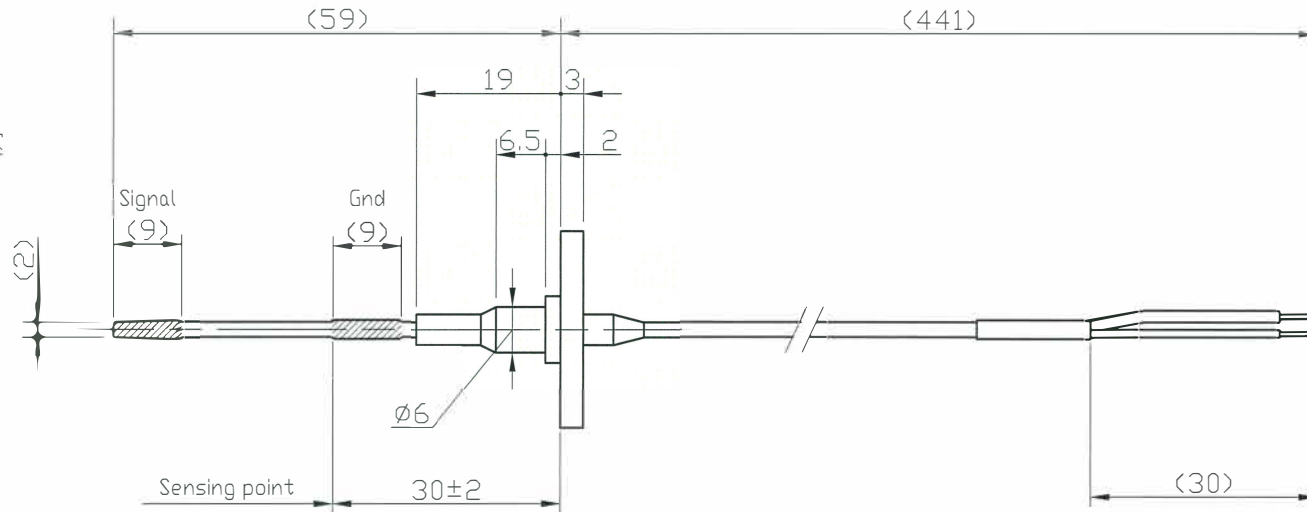
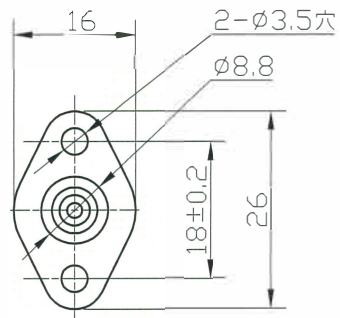
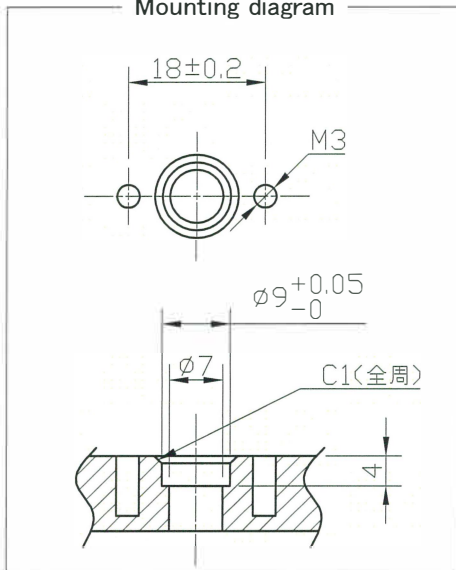


CP-1030

Conductor	Cu(Ep-Cu/Sn)
Electrode	ETFE
Flange	ETFE



Mounting diagram



Unit[mm]

確 TASHIKA
タシカ株式会社 JAPAN

Made in Japan

<http://www.tashika.co.jp/>

- 2.Aug.2016 -