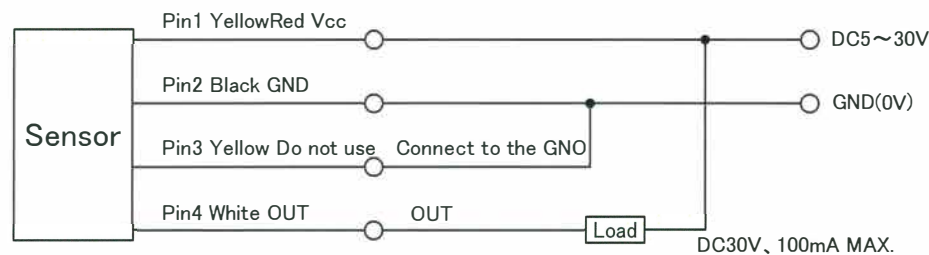
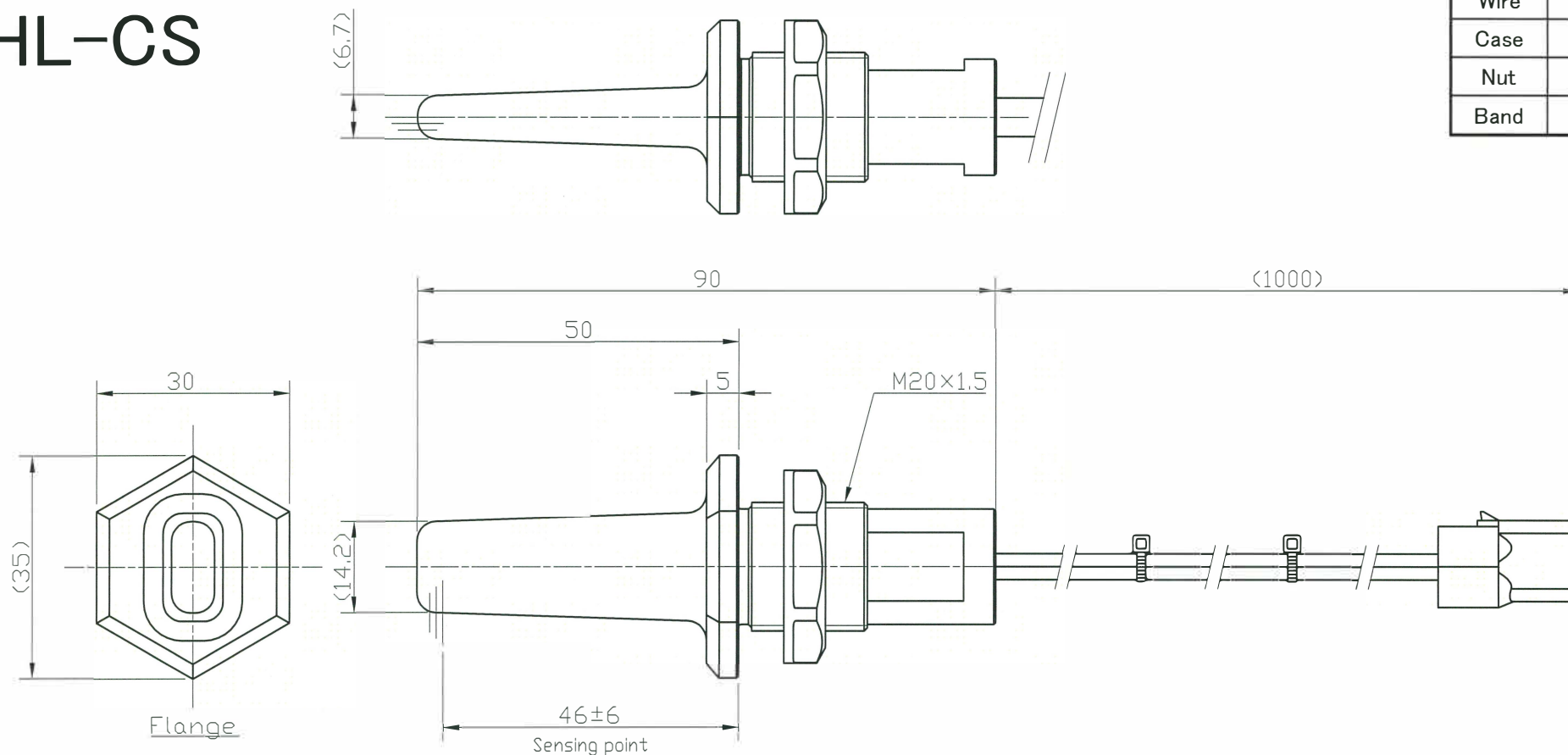
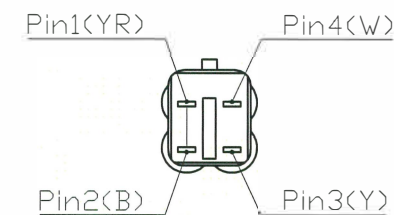


HL-CS

Wire	AEX 0.5f
Case	PPS-GF40
Nut	PA66
Band	PA66



Wiring diagram



Pin configuration