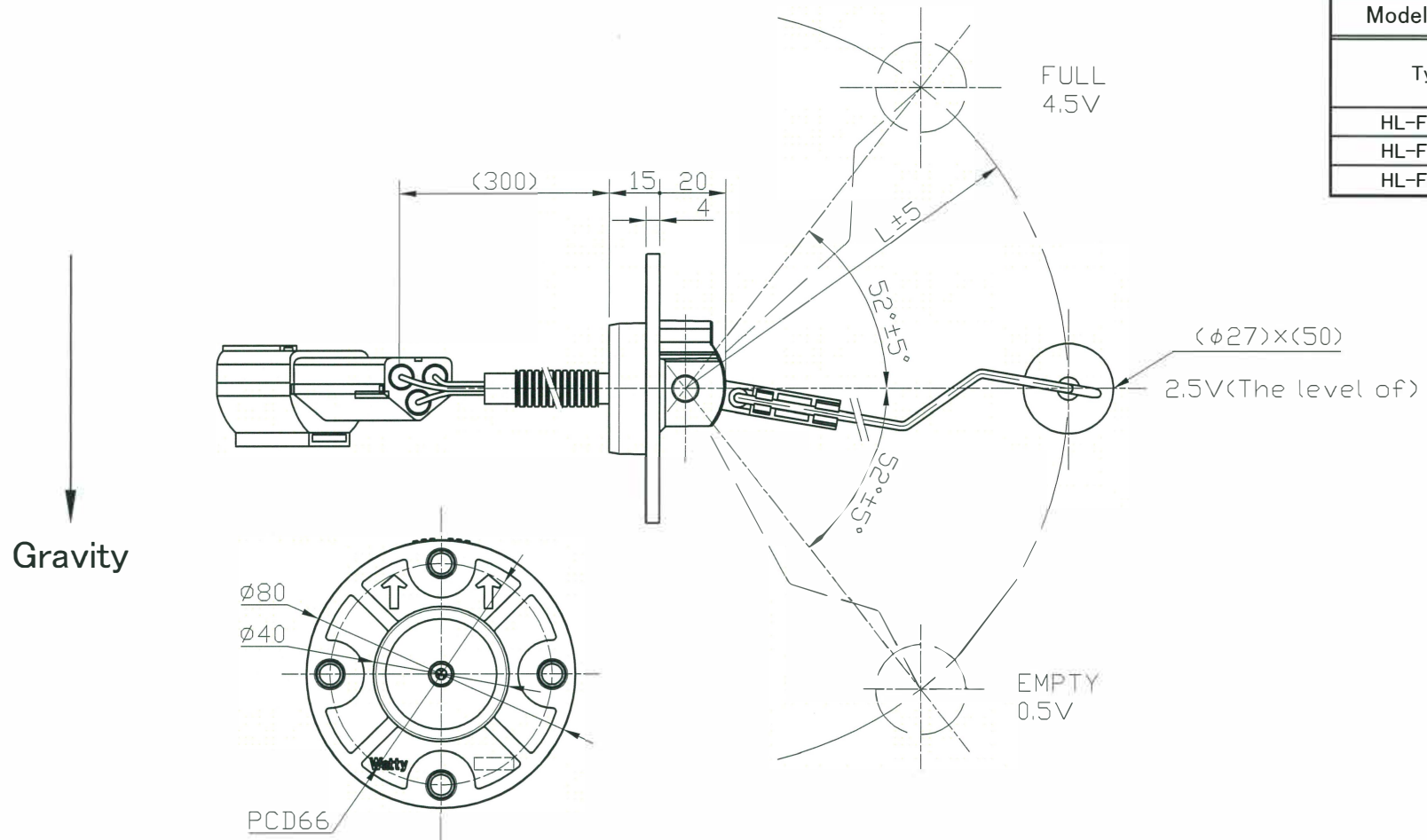


HL-FU

Side mount type

| | |
|---------|------------|
| Wire | AEX 1.25f |
| Arm | SUS304-WPB |
| Flange | POM |
| Float | NBR |
| Stopper | SUS304 |

| Model diagnostic table | |
|------------------------|-----|
| Type | L |
| HL-FU-100 | 100 |
| HL-FU-150 | 150 |
| HL-FU-200 | 200 |



Made in Japan

<http://www.tashika.co.jp/>

Scale=1:2
Unit[mm]

- 2.Aug.2016 -