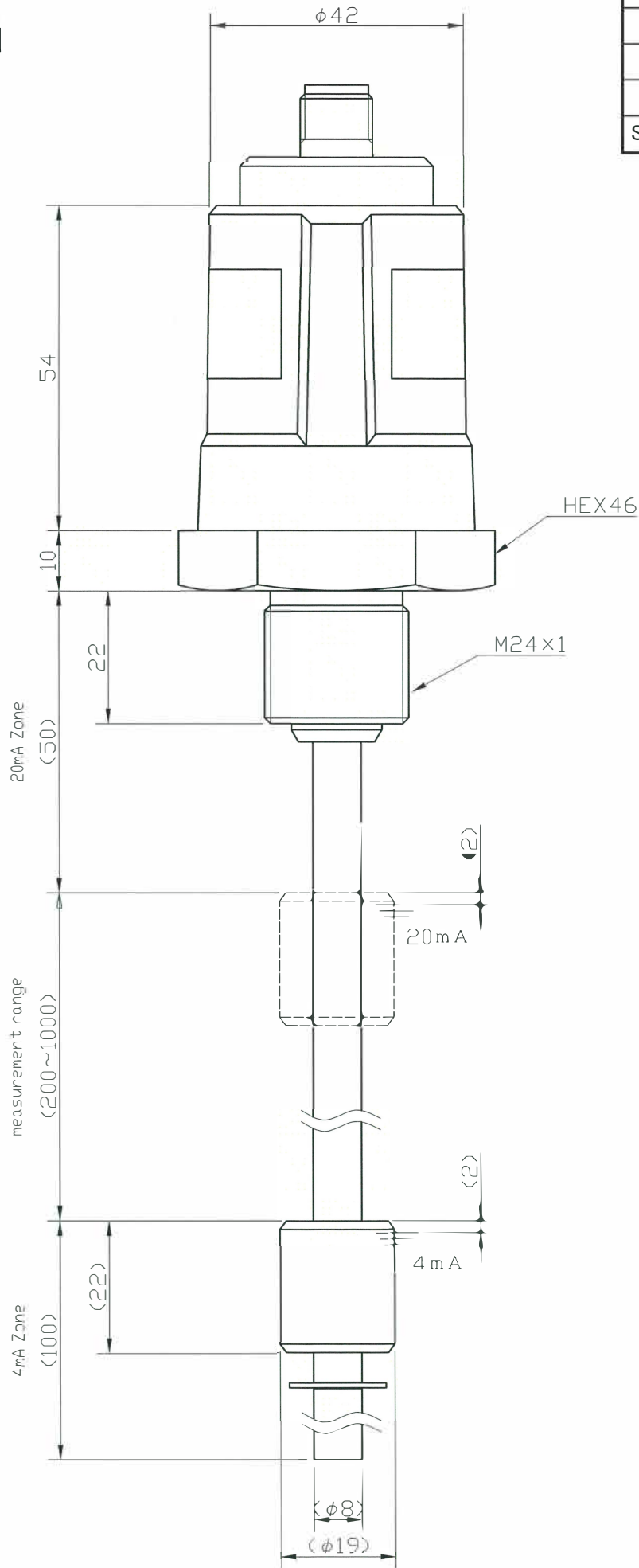


HL-G

Connector	XS2C-D4S1(OMRON)
Stem	SUS316
Head case	aluminum alloy
Float	PP-E
Stopper	SUS316



Unit[mm]

確 TASHIKA
 タシカ株式会社 JAPAN

Made in Japan

<http://www.tashika.co.jp/>

- 2.Aug.2016 -