

# TASHIKA

## Online infrared thermometer

### Model TC-500-ACO

## Features

- Temperature range : 0 ~ 500°C
- Optical resolution : 20:1
- Responsetime : 200ms (customizable for 50ms-5s)
- Analog output : 4 ~ 20mA
- Ambient Temp : 0 ~ 60°C
- Storage temperature : -20 ~ 80°C
- IP-65 (NEMA-4) SS housing
- Accuracy :  $\pm 1.5\%$  or  $\pm 2^\circ\text{C}$  whichever is higher
- Standard 2m connection cable

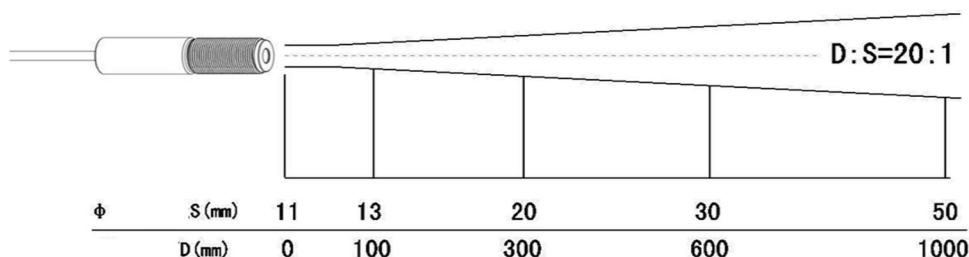


## Description

Model TC-500-ACO is a compact on-line infrared thermometer for non-contact temperature measurement in the range of 0 to 500°C. It provides linear 4~20mA output.

Any object will emit infrared radiation outward based on its surface temperature, and the intensity of the radiation varies with the temperature of the object. For different target temperatures, different infrared thermometers choose different measurement wavelengths to measure temperature. Typically, a wavelength of 8-14 $\mu\text{m}$  is used to measure the target temperature from around room temperature to thousands of degrees Celsius. Non-contact temperature measurement is the biggest advantage of infrared thermometers, allowing users to easily and quickly measure objects that are difficult to access or moving.

## Optical Specifications



Z

**General**

Environmental Rating IP 65

Ambient Temperature -10°C to 60°C

Storage Temperature -20°C to 80°C

Relative Humidity 10 to 95%, non-condensing

Weight 210g

**Electrical**

Analog Output 4~20mA

Power Supply 9 - 32 VDC

Cable Length 2m, options: 5m or 10m

**Measurement**

Temperature Range 0°C ~ 500°C (32°F to 932°F)

Spectral Response 8 ~ 14μm

Optical Resolution 20: 1

Accuracy\*1 ±1.5% of reading or ±2 °C, whichever is greater

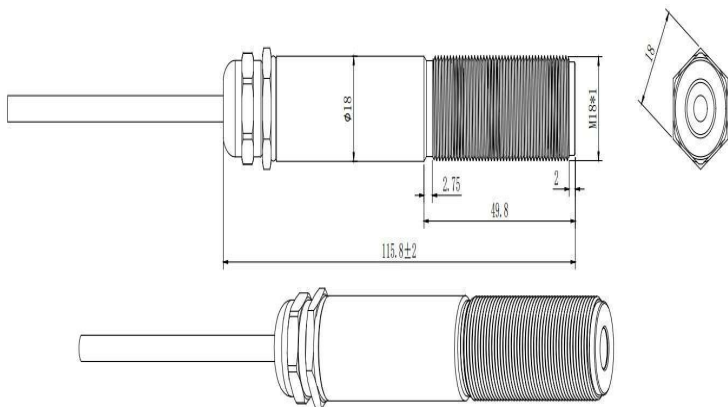
Repeatability\*1 ±0.5% of reading or ±1°C, whichever is greater

Response Time (95% signal) Default 200 ms (customizable within 50ms~5s)

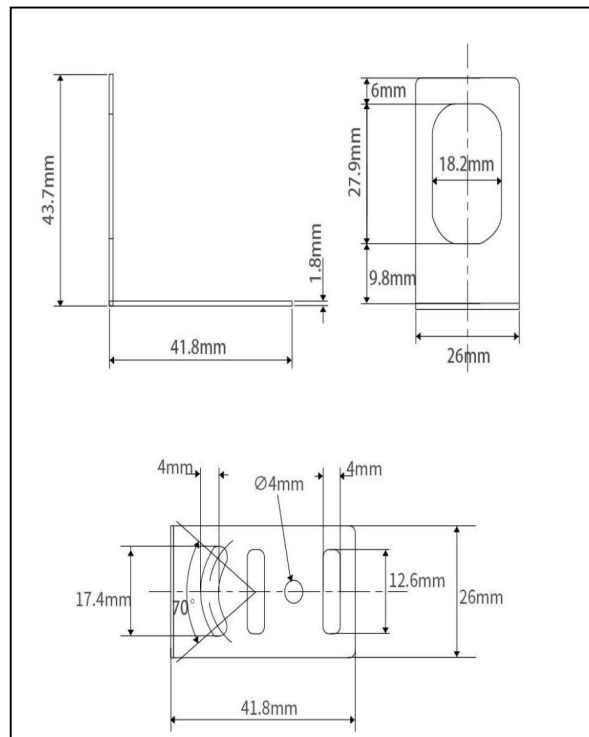
Emissivity 0.95 (Fixed)

\*1 At 23°C ±5°C, emissivity = 0.95

**Dimensions (mm)**



**Bracket Accessories**



DUE TO CONTINUOUS PRODUCTIMPROVEMENT, THEDESIGN AND TECHNICAL SPECIFICATIONS ARE SUBJECTTO CHANGE WITHOUT PRIORNOTICE

**TASHIKA CO., LTD.**

1-12, Kaiyo-cho, Ashiya, Hyogo  
 659-0035 Japan  
 Tel: + 81-797-23-9035 Fax: + 81-797-23-2105  
 e-mail: sales@tashika.co.jp URL: www.tashika.co.jp

