

# ULTRASONIC GAS ANALYZER US-II T



## ULTRASONIC GAS ANALYZER US-II T

US-II T is gas analyzer with ultrasonic sensor for detecting.

This gas analyzer indicates concentration and output analog voltage and electric current by measuring sound-speed and temperature of mixed two sorts of gases.

### STRONG POINT

- ◎ LONG LIFE
- ◎ EASY OPERATION BY THE LCD WITH TOUCH PANEL
- ◎ ONLY 10 SECOND FOR WARM-UP
- ◎ WIDE POWER SUPPLY AND FREE RANGE
- ◎ WITH AUTO CALIBRATION FUNCTION

### SPECIFICATION

INSTALLATION	Wall mount or Panel mount
WARM-UP TIME	About 10sec.
SAMPLE TEMP.	Normal temperature (40°Cmax)
SAMPLE PRESS.	0 ~ +5kPa
FLOW RATE	0.5~2.0L/min
POWER SUPPLY	A. C. 85~264V 50/60Hz
AMBIENT TEMP.	5~45°C
PIPING	IN OUT : Rc1/4
ANALOG OUTPUT	D. C. 4~20mA, 0~10V or 0~1V
LINEALITY	Less than $\pm 1\%$ of full scale
REPEATABILITY	Less than $\pm 1\%$ of full scale
RESPONSE TIME	90% reading is within 10sec.

### PERFORMANCE

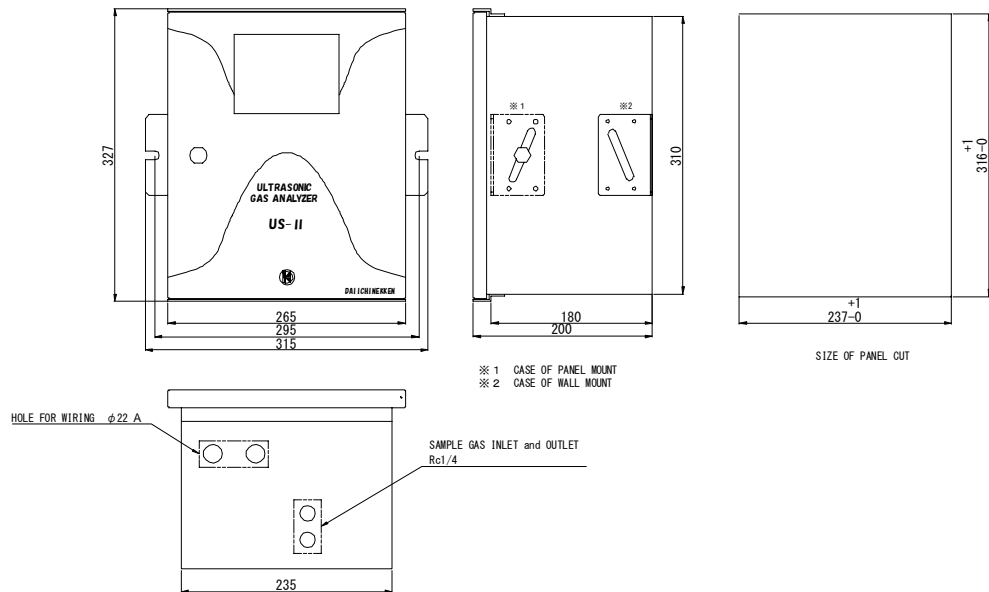
	MEASUREMENT RANGE	MEASUREMENT ACCURACY
H <sub>2</sub> /N <sub>2</sub>	0 ~ 50%	0.02%
He/N <sub>2</sub> , He/Air	0 ~ 50%	0.02%
O <sub>2</sub> /N <sub>2</sub>	0 ~ 100%	0.1%
Xe/Ar, Kr/N <sub>2</sub> , CF <sub>4</sub> /N <sub>2</sub>	0 ~ 100%	0.01%
Xe/N <sub>2</sub> , SF <sub>6</sub> /N <sub>2</sub>	0 ~ 100%	0.005%

※As is often the case with changing this specification for improvement without permission.

**It is theoretically possible for US-II T to analyze some mixed two sorts of gas.**

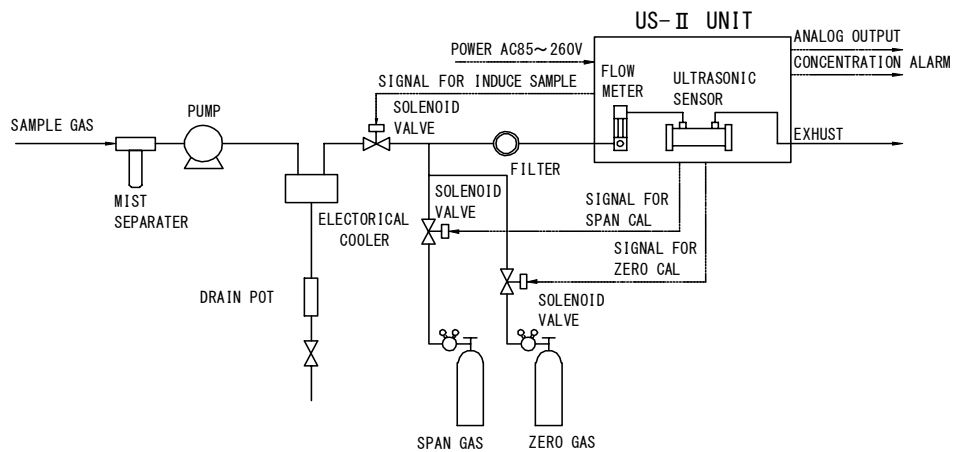
## DIMENSION & FLOW DIAGRAM (EXAMPLE)

### DIMENSION



### EXAMPLE OF FLOW

< EXAMPLE OF MEASURING INDUSTRIAL FURNACES >



※ If sample gas is DRY, it is not necessary to prepare mist separater and electrical cooler.

## TASHIKA BOEKI SHOKAI K.K.

1-12, Kaiyo-cho, Ashiya, 659-0035, JAPAN

Tel: + 81-797-23-9035 Fax: + 81-797-23-2105

e-mail: sales@tashika.co.jp URL: www.tashika.co.jp