

N₂PSA O₂ Analyzer CG-TM



What's CG-TM

It is the oxygen analyzer that CG-SM is made simpler. (Sell it more than ten lot.)

Features

- ◎ Small amount sampling.
- ◎ Compact design.
- ◎ Simple structure, easy maintenance.

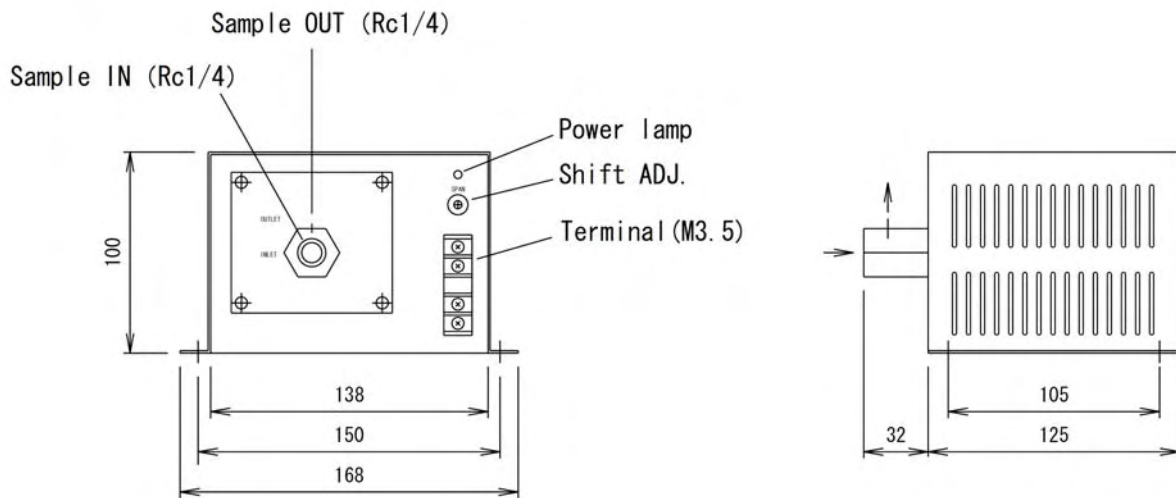
Specification

Installation	Indoor type、Plane・Wall type
Measuring range	100ppmO ₂ ~5%O ₂
Range	1range Selection of 0-1000ppmO ₂ ・0-10000ppmO ₂ ・0-5%O ₂ (Other consultations necessary)
Output	D. C. 0-1V
Linearity	Less than ±3%FS
Repeatability	Less than ±3%FS
Response	90% reading 10sec. (Swinging to a high density side)
Drift	Less than ±3%FS/wk
Sample Condition	Not contain moisture, dust, causticity gas, halogen gas, and combustibile gas, etc.
Sample flow	100±10cc/min
Sampling	sample press introducing
Sample pressure	0.01~0.05 MPa
Using temp.	80°C max
Piping	INLET and OUTLET Rc1/4
Warm up time	About 20 minutes
Utility	DC12V±0.1V 2.5A
Using temp.	0~50°C
Option	Flow meter with needle valve、Scaling meter (Necessary external power supply)

※For the improvement, the specification and design may be changed without prior notice.

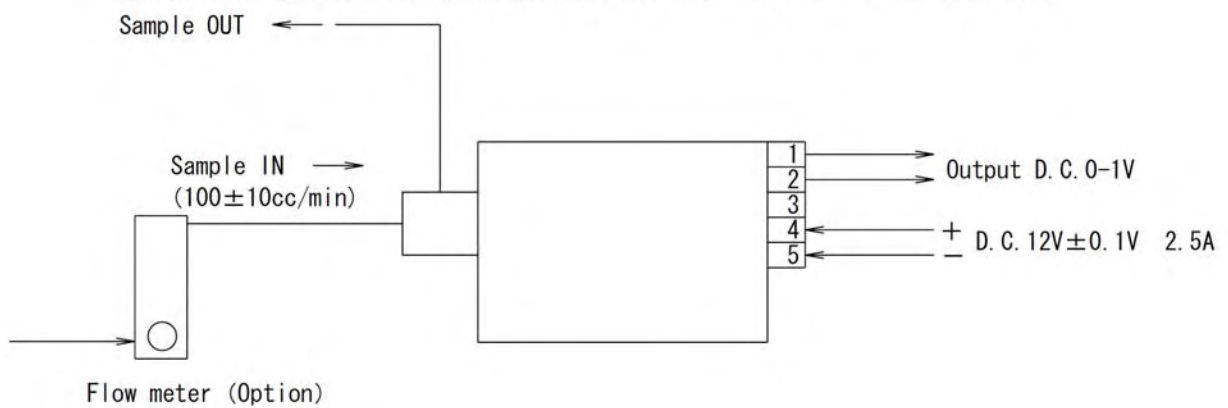
Dimensions & Flow Diagram

Dimensions



Flow diagrams

※Sample OUT gas must be discharged outside when CG-TM is set in the board.



TASHIKA BOEKI SHOKAI K.K.

1-12, Kaiyo-cho, Ashiya, 659-0035, JAPAN

Tel: + 81-797-23-9035 Fax: + 81-797-23-2105

e-mail: sales@tashika.co.jp URL: www.tashika.co.jp