

# HOLLOW CATHODE LAMP

## FEATURES

- 1 Low detection limits**  
 State-of-the-art manufacturing techniques ensure maximum stability and sharp emission lines enabling lowest possible detection level.
- 2 Low warm-up time**  
 Lamp achieves its maximum stability level very quickly enabling immediate analysis. Even the most volatile elements such as lead and cadmium have short warm-up time.
- 3 Extended lamp life**  
 Superior design, high quantity components and strict quality control ensures long service life of 5000mA hours of service life of lamps with all elements except for As and Se that have service life of 3000mA hours.



HOLLOW CATHODE LAMP  
WITH IRON ELEMENT

## TECHNICAL SPECIFICATIONS

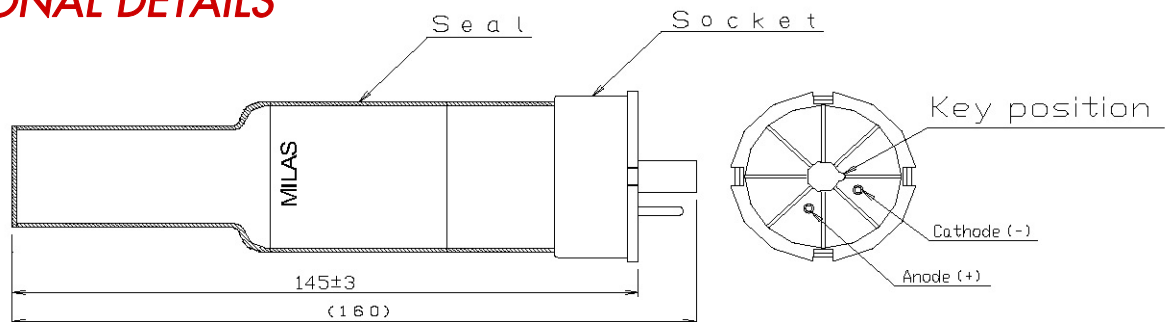
Elements	Wave length (nm)		Rated Current		Life (mA·hrs)	Window material
			Normal	Max		
Ag	328.1	338.3	5	15	5000	Synthetic Quartz
Al	309.3	396.2	7.5	15	"	"
As	193.7	197.2	10	12	"	"
Au	242.8	267.6	10	20	"	"
B	249.8		10	20	"	"
Ba	553.6	350.1	10	15	"	"
Be	234.9		10	15	"	"
Bi	223.1	306.8	10	15	"	"
Ca	422.7		7.5	15	"	"
Cd	228.8	326.1	6	15	"	"
Co	240.7	352.7	10	15	"	"
Cr	357.9	359.3	7.5	15	"	"
Cs	852.1		10	15	"	"
Cu	324.8	327.4	5	15	"	"
Dy	404.6	421.2	10	15	"	"
Er	400.8	415.1	10	15	"	"
Fe	248.3	372.0	10	15	"	"
Ga	294.4	417.2	10	15	"	"
Ge	265.2	259.3	10	20	"	"
Hf	307.3	286.6	10	15	"	"
Hg	253.7		6	10	"	"
In	303.9	325.6	10	20	"	"
Ir	208.9	264.0	10	20	"	"
K	766.5	404.4	10	15	"	"
La	550.1	357.4	12.5	20	"	"
Li	670.8	610.4	10	15	"	"
Mg	285.2	202.5	7.5	15	"	"
Mn	279.5	403.1	5	15	"	"
Mo	313.3	317.0	10	20	"	"
Na	589.0	330.2	10	15	"	"
Nb	334.9	358.0	10	20	"	"
Ni	232.0	341.5	10	15	"	"

TASHIKA - JAPAN

## TECHNICAL SPECIFICATIONS

Elements	Wave length (nm)		Rated Current		Life (mA·hrs)	Window material
			Normal	Max		
Pb	217.0	283.3	7.5	15	5000	Synthetic Quartz
Pd	244.8	247.6	10	20	"	"
Pt	265.9	299.8	10	20	"	"
Rb	780.0	794.8	10	15	"	"
Rh	343.5	369.2	10	20	"	"
Ru	349.9	392.5	10	20	"	"
Sb	217.6	231.2	10	20	"	"
Sc	391.2	390.7	7.5	15	"	"
Se	196.0	204.0	12.5	16	"	"
Si	251.6	288.2	10	20	"	"
Sn	224.6	286.3	10	15	"	"
Sr	460.7		10	15	"	"
Ta	271.5	277.6	10	20	"	"
Te	214.3	225.9	10	15	"	"
Ti	364.3	365.3	10	20	"	"
Tl	276.8	377.6	10	15	"	"
V	318.4	385.6	10	20	"	"
W	255.1	400.9	10	20	"	"
Y	410.2	407.7	10	12	"	"
Yb	398.8	346.4	10	15	"	"
Zn	213.9	307.6	5	15	"	"
Zr	360.1	468.8	10	20	"	"
Ca-Mg	Please refer to the above data of single elements.		7.5	15	"	"
Cd-Pb			10	15	"	"
Cd-Zn			10	20	"	"
Cu-Fe-Mn			18	20	"	"
Cu-Mn-Si			18	20	"	"
Cu-Fe-Ni			15	20	"	"
Fe-Mn-Ni			18	20	"	"
Cr-Cu-Mn			12	20	"	"
Cr-Cu-Fe-Mn-Ni			18	20	"	"
Co-Cr-Cu-Fe-Mn-Ni			18	20	"	"

## DEMENSIONAL DETAILS



DUE TO CONTINUOUS PRODUCT IMPROVEMENT, THE DESIGN AND TECHNICAL SPECIFICATIONS ARE SUBJECT TO CHANGE WITHOUT PRIOR NOTICE

### TASHIKA CO., LTD.

1-12, Kaiyo-cho, Ashiya, 659-0035, JAPAN

Tel: + 81-797-23-9035 Fax: + 81-797-23-2105

e-mail: sales@tashika.co.jp URL: www.tashika.co.jp